

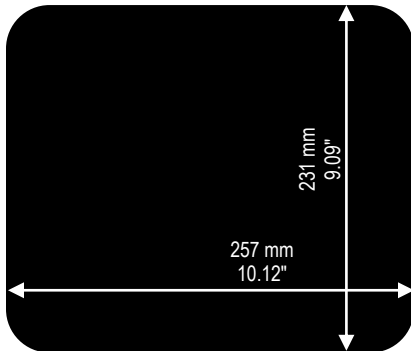


# Applied Scientific Instrumentation

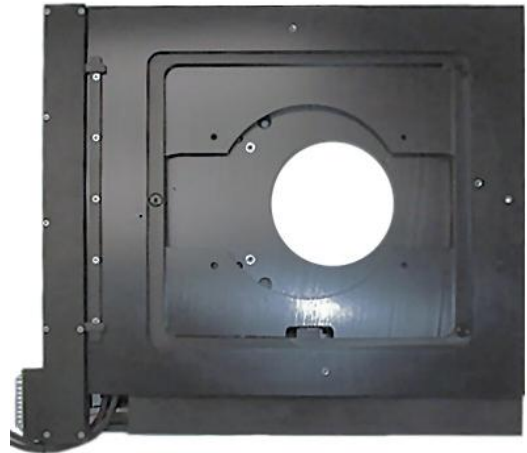
## Stage Inserts

### 257 x 231 mm Inserts

Inserts for ASI's MS-8000 XY Stage

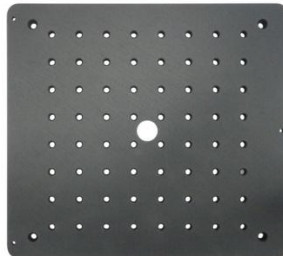


ASI's MS-8000 XY stage is designed for large-scale industrial and measurement microscopes, as well as stand-alone and OEM applications.



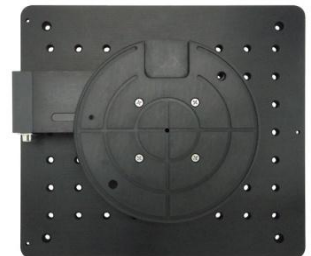
#### Metric Plate Insert for MS-8000

**I-8001**  
The I-8001 metric breadboard insert provides a removable baseplate for mounting equipment using M6 bolts on 25 mm centers.  
*Also available as English 1/4"-20 holes on 1-inch centers [I-8002].*  
Depth from Top of Insert: N/A mm  
Overall Thickness: 9.5 mm



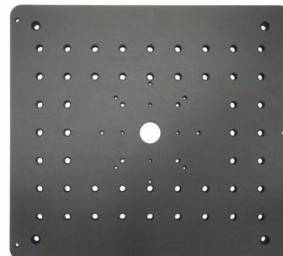
#### Motorized Rotary Stage Insert RS-3000 & I-8004

This insert has an RS-3000 motorized rotary stage mounted to an I-8004 plate insert, and, in this case, with a 150 mm diameter vacuum chuck affixed. Resolution is 0.12 arc-minutes with ASI's closed-loop DC servomotor drive. The top of the vacuum chuck is approximately 60.4 mm above the top of the insert.  
Height from Top of Insert: 60.4 mm  
Overall Thickness: 69.9 mm



#### English Center-Mounting Plate Insert I-8004

The I-8004 english breadboard insert provides a removable baseplate for mounting equipment using 1/4"-20 bolts on 1-inch centers, plus with other smaller mounting holes around the center at common spacings.  
*Also available as Metric M6 on 25 mm centers [I-8003].*  
Depth from Top of Insert: N/A mm  
Overall Thickness: 9.5 mm



#### Glass Plate Insert for MS-8000 I-8008

The I-8008 glass insert provides a large specimen area the full size of the insert. It is made of 4.8 mm (3/16") clear tempered glass.  
Depth from Top of Insert: N/A mm  
Overall Thickness: 4.8 mm



**We Create Solutions**

Applied Scientific Instrumentation, Inc. ♦ 29391 W Enid Rd ♦ Eugene, OR USA 97402-9533  
(541) 461-8181 ♦ (800) 706-2284 ♦ info@ASImaging.com ♦ www.ASImaging.com